



## ***Our Equipment Works Harder So You Don't Have To***

The Biro 1433/1433FH Meat Saw is a compact production saw that's perfect for today's scaled down meat room.

- Its 3 hp motor and 3550 feet per minute blade speed (higher speeds available at no charge) provide you with the power you need
- Biro's exclusive EZ-Flow meat carriage helps reduce operator fatigue and increase productivity
- Watertight magnetic starter with thermal overload protection
- Totally enclosed motor
- Removable lower wheel
- Heavy duty stainless steel construction
- Double V belt and pulley drive system
- Includes two saw blades

(Both incorporate the superior design and engineering you've come to expect from Biro, which means you'll get years of use, low maintenance, and lower overall cost of ownership.)



1433 shown

**1433 / 1433FH**



*Stands alone for quality  
and value since 1921*

## SPECIFICATIONS

**MODEL** 1433 POWER CUTTER (MOVABLE HEAD - 14").  
1433 FH POWER CUTTER (FIXED HEAD - 14").  
**CONSTRUCTION** HEAVY DUTY STAINLESS STEEL BASE, LEGS, HEAD AND DOOR STRUCTURE.

HP	KW	TYPE	VOLTS	AMPS	CYCLE	PH	STATUS
3	2.2	TE	208/220/440	6.4/6/3	60	3	STD
3	2.2	TE	220/380/415	6/4/3	50	3	STD
2	1.5	OP-HH	115/208/230	20/11/10	60	1	STD
2	1.5	OP-HH	220	9	50	1	EC
3	2.2	TE	200	6	60	3	EC
2	1.5	TE	550	2-8	60	3	EC

TE = Totally Enclosed OP = Open HH = High Humidity STD = Standard EC = Extra Cost

**STANDARD FEATURES** TWO SAW BLADES, OPERATION AND SAFETY MANUAL, SAFETY WALL POSTER, END CUT SAFETY PUSHER PLATE.

**SWITCH** WATERTIGHT MAGNETIC WITH THERMAL OVERLOAD AND UNDER VOLTAGE PROTECTION.

**HEAD AND DOOR** STAINLESS STEEL.

**BASE STRUCTURE** STAINLESS STEEL.

**BLADE STANDARD** HARD TOOTH .022 INCH (.5 MM) THICK, THREE TEETH PER INCH (8.5 MM BETWEEN TEETH), 5/8 INCH (16 MM) WIDE, 108 INCHES (2743 MM) LONG (TWO SUPPLIED WITH EACH SAW).

**BLADE GUIDE** UPPER AND LOWER BLADE BACKUP GUIDE ASSEMBLIES, REMOVABLE WITH LONG LIFE CARBIDE BACKUP INSERTS.

**BLADE TENSION** 1433 - RATCHET ARM AND CAM AGAINST POUND TESTED SPRING AND TENSION SPRING GAUGE

1433FH - FACTORY PRESET SPRING, SCREW HANDLE ASSEMBLY.

**BLADE WHEELS** 14" (35.5 CM) CAST IRON, CHROME NICKEL PLATING, UPPER WHEEL ASSEMBLY LIFTS OUT.

**BEARINGS** HEAVY DUTY TAPERED ROLLER BEARINGS USED IN UPPER WHEEL AND LOWER BEARING HOUSINGS.

**CATCH PAN** POLY, EXTRA DEEP, ROUNDED CORNERS, PAN SEALED OFF FROM OTHER PARTS OF BASE, ACCESSIBLE THROUGH BASE HINGED DOOR.

**CLEANING UNIT** STAINLESS STEEL BODY, LONG-LIFE CARBIDE GUIDES, STEEL SAW CLEANERS, REMOVABLE AS A UNIT FOR EASY CLEANING (ASSEMBLY ALSO ADJUSTABLE AS A UNIT).

**DRIVE SYSTEM** NON SLIP SILENT V-BELT, TENSION ADJUSTABLE.

**LEGS** STAINLESS STEEL LEG BOLT LEVELERS.

**MEAT CARRIAGE** STAINLESS STEEL 8 BEARING E-Z FLOW.

**MEAT GAUGE PLATE** STAINLESS STEEL FACED, ADJUSTABLE FROM 1/16" (1.59 MM) TO 6-1/2" (165 MM) LOCKS IN POSITION, CAN BE THROWN OUT OF GEAR, ENTIRE ASSEMBLY REMOVABLE FOR CLEANING.

**MOTOR COMPARTMENT** SEALED OFF FROM MEAT CONTACT AREAS, EASILY ACCESSIBLE THROUGH REMOVABLE PANEL DOOR.

**PLATTER** ALL STAINLESS STEEL, HELD IN PLACE WITH TWO PUSH PULL HOLD DOWN STAINLESS STEEL RODS.

**SAFETY END CUT** STANDARD, REMOVABLE.

**PUSHER PLATE** STANDARD, REMOVABLE.

**OPTIONS (EC)** POWER CORD AND PLUG, FRONT TABLE EXTENSION. STATIONARY FRONT TABLE, DOUBLE FLANGE WHEELS, SPLIT

REAR PLATTER, LONGER MEAT GAUGE PLATES.

**OPTIONS (NC)** 4200 FEET (1280 M), 5000 FEET (2273 M) PER MINUTE BLADE SPEED.

**CERTIFICATION** U.S.D.A., U.L., N.S.F.

**WEIGHT** 1433 UNCRATED: 374 LBS. (169.6 KG) APPROXIMATE.  
CRATED: 478 LBS. (217 KG) APPROXIMATE.

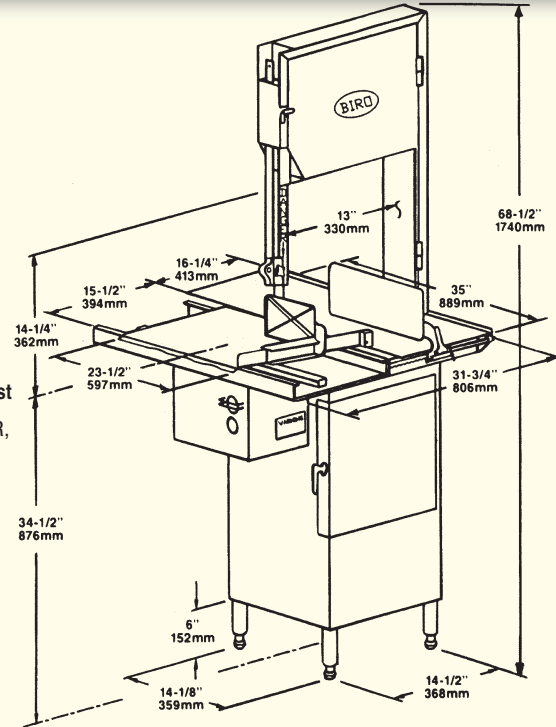
1433FH UNCRATED: 385 LBS. (174.6 KG) APPROXIMATE.  
CRATED: 489 LBS. (222 KG) APPROXIMATE.

**DIMENSIONS**

**CRATED** 1433: L=48" (121.9 CM), W=37" (93.9 CM), H=38" (96.5 CM).

1433FH: L=38" (96.5 CM), W=50" (127 CM), H=77" (195.6 CM).

All specifications contained herein are subject to change without notification.



**THE BIRO MANUFACTURING COMPANY**  
1114 WEST MAIN STREET  
MARBLEHEAD, OH 43440-2099 U.S.A.  
Phone: (419) 798-4451  
Fax: (419) 798-9106  
<http://www.birosaw.com>  
[sales@birosaw.com](mailto:sales@birosaw.com)

ITEM NO.: LIT 1433-267  
FORM NO.: Md 1433-SRS-267-6-06-7-ENG-MARK

Service is available from over 245 locations worldwide