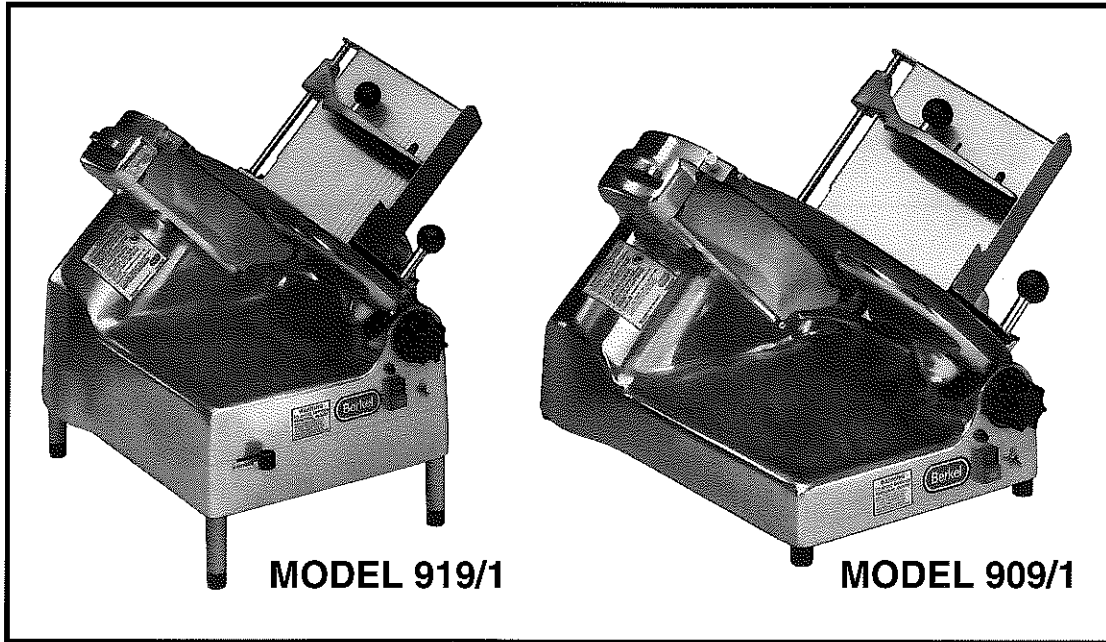


Berkel Gravity Feed Slicers

909/1, 919/1



Berkel introduces the Model 909/1 Manual and Model 919/1 Automatic gravity feed slicers.

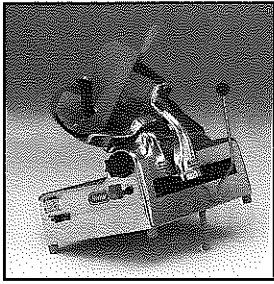
There simply are no better performing gravity feed slicers! Berkel's time proven hollow ground stainless steel knife and built-in dual action sharpener are complemented by a host of exciting features such as a tapered, stainless steel permanent knife guard and a two-speed knife.

And should service ever be necessary, the 909/1 and 919/1, like all Berkel products, are backed by our nation-wide service network.

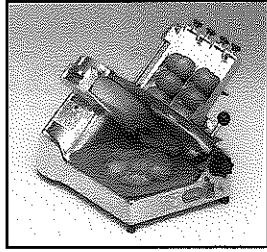
- New stainless steel tapered permanent Guard covers non-slicing portion of knife even when the sharpener and center plate are removed.
- Hardened, hollow ground and polished stainless steel knife.
- Two-Speed Knife — for excellent slices of either hard or soft products.
- Built-in, high precision, dual action sharpener — for a lasting, razor sharp edge.
- All slicing contact parts are stainless steel.
- Model 919/1 automatically slices 40 or 60 slices per minute.
- Center Plate Interlock — the slicer will not run with center plate removed.
- Easy to clean — disassembles quickly without tools.

Berkel

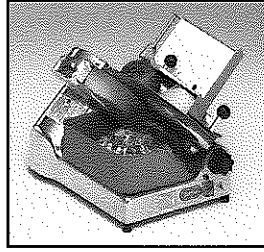
OPTIONAL ACCESSORIES



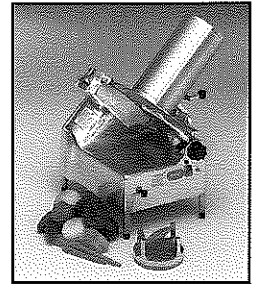
SURE-LOCK LIFT™ is designed for safe and easy access when cleaning under the slicer. Operators will enjoy the convenience and protection it provides.



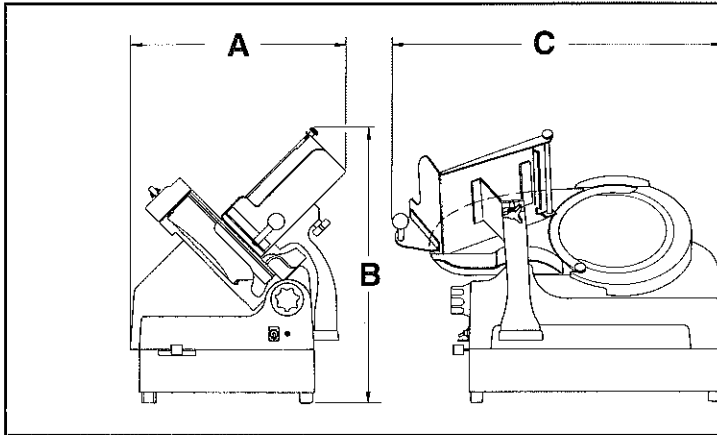
Fence and Skewers for uniform crosscut of tomatoes, onions, peppers, etc. Receiving Tray or a Juice Cup to retain juices are available.



Slaw Tray in place to catch and carry sliced products.



Vegetable Chute for volume slicing of various fruits, meats or vegetables.



Model 909FS

A: 20" (508 mm)
B: 21" (533 mm)
C: 29" (737 mm)

Model 919FS

A: 20" (508 mm)
B: 24" (610 mm)*
C: 29" (737 mm)

* Add 3" (76 mm) for NSF legs.

SPECIFICATIONS

● Operation:	909/1 - Manual Gravity Feed with two-speed knife. 919/1 - 2 Speed Automatic or Manual Gravity Feed with two-speed knife.
● Cutting Capacity:	Up to 11" (280 mm) wide, 6" (152 mm) high or 8" (203 mm) diameter.
● Slice Thickness:	Up to $27/32$ " (21 mm)
● Knife:	12 $1/2$ " (318 mm) diameter, hollow ground, hardened, and polished stainless steel.
● Knife Sharpener:	Built-in, two stone, dual-action system.
● Slicing Speed:	919/1 Low - 40 spm High - 60 spm

● Motors:	<ul style="list-style-type: none"> • 2 Speed, $1/2$ H.P., 115 volt, 60 cycle, single phase, 5.5/4.5 amp, A.C., thermally protected. • 2 Speed, $1/3$ H.P., 230 volt, 60 cycle, single phase, 2.9 amp, A.C., thermally protected. • 2 Speed, $1/3$ H.P., 220 volt, 50 cycle, single phase, 2.4 amp, A.C., thermally protected.
● Finish:	Stainless Steel and Burnished Aluminum.
● Weight:	909/1 Net : 90 lb (41 kg) Shipping : 120 lb (55 kg) 919/1 Net : 114 lb (52 kg) Shipping : 152 lb (69 kg)



USDA
Accepted



As we continually strive to improve our products, specifications are necessarily subject to change without notice.

Berkel Incorporated
One Berkel Drive
LaPorte, IN 46350
Telephone (219) 326-7000
FAX (219) 324-2928



In Canada:
Berkel Products Co., Ltd.
Toronto
Telephone (905) 625-4160
FAX (905) 625-3166